

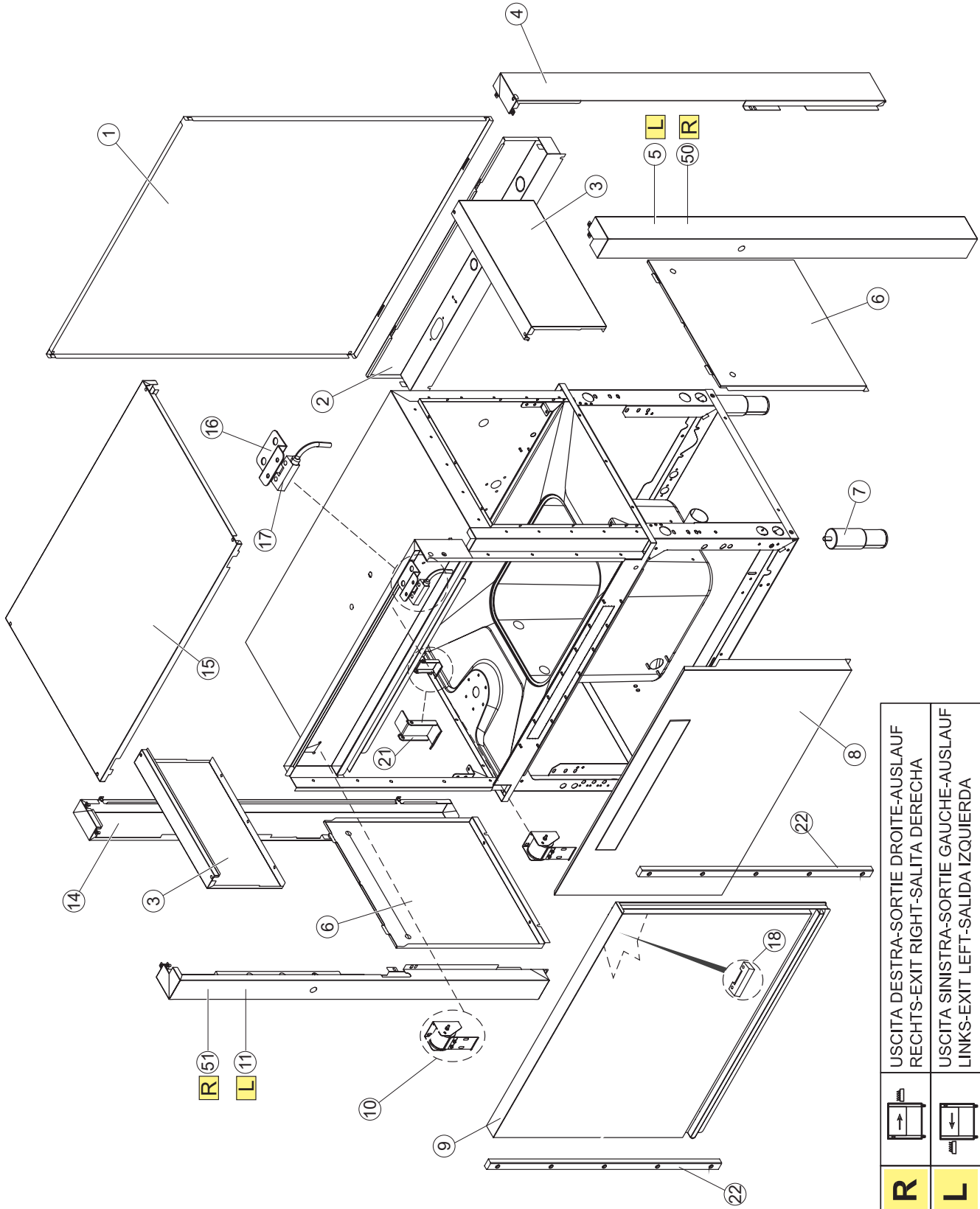
Exploded view

Explodierte Ansicht | Dessin technique | Rozkres
Vista en despiece ordenado



A 200 W ABT RX CTTA 9

Exploded view 1/13



	USCITA DESTRA-SORTIE DROITE-AUSLAUF RECHTS-EXIT RIGHT-SALIDA DERECHA
	USCITA SINISTRA-SORTIE GAUCHE-AUSLAUF LINKS-EXIT LEFT-SALIDA IZQUIERDA
R	L

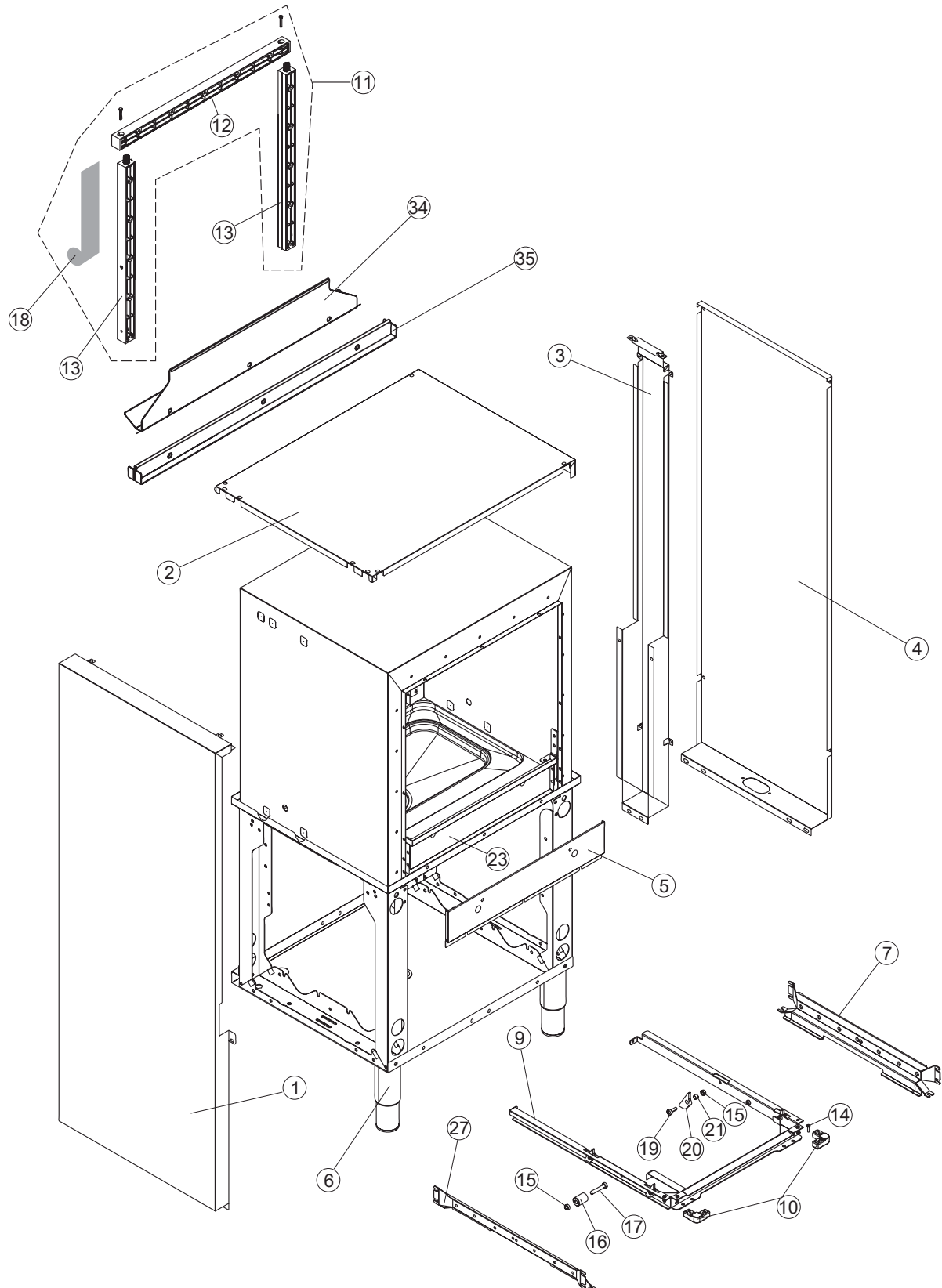
Exploded view

Explodierte Ansicht | Dessin technique | Rozkres
Vista en despiece ordenado



A 200 W ABT RX CTTA 9

Exploded view 2/13



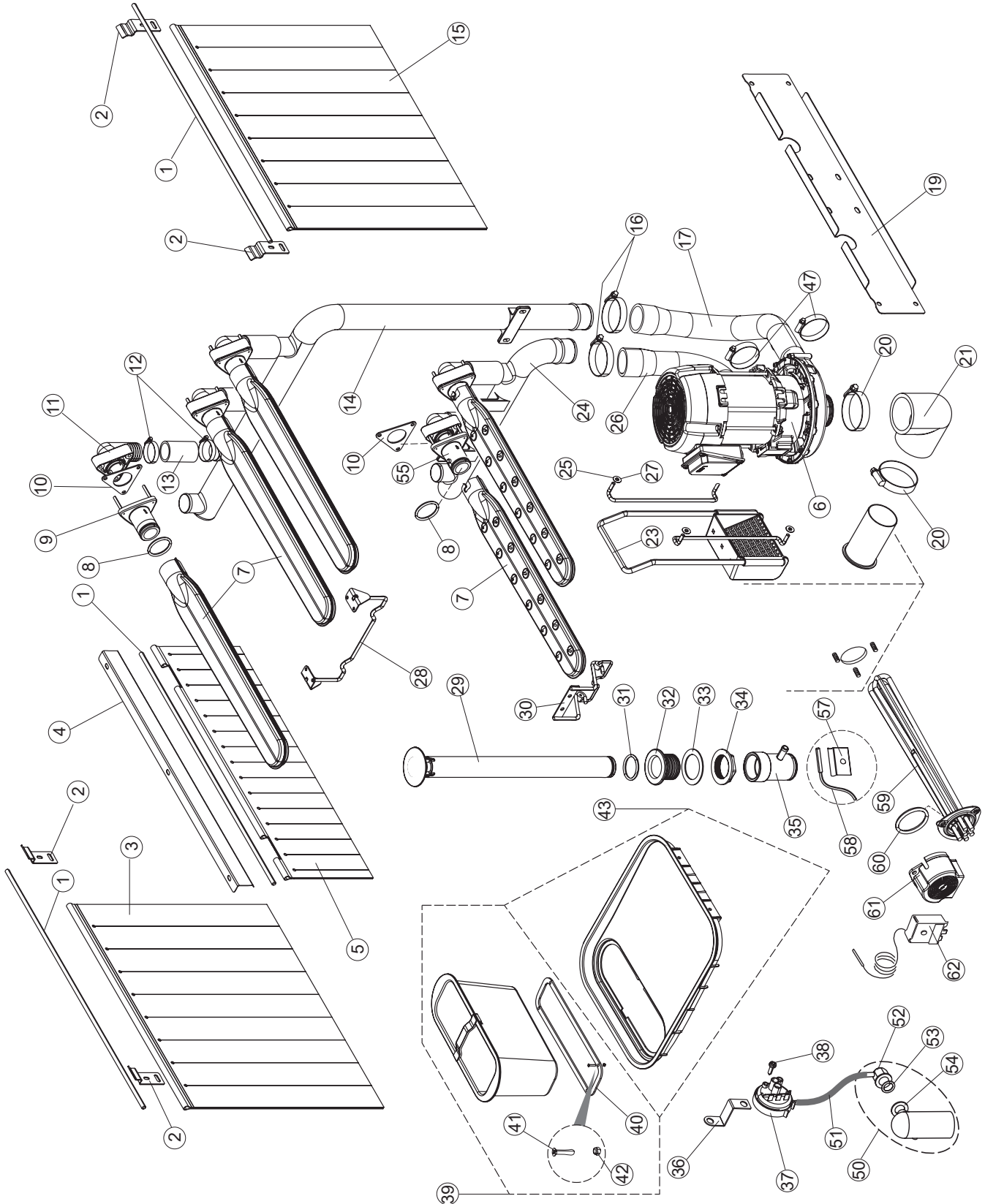
Exploded view

Explodierte Ansicht | Dessin technique | Rozkres
Vista en despiece ordenado



A 200 W ABT RX CTTA 9

Exploded view 3/13



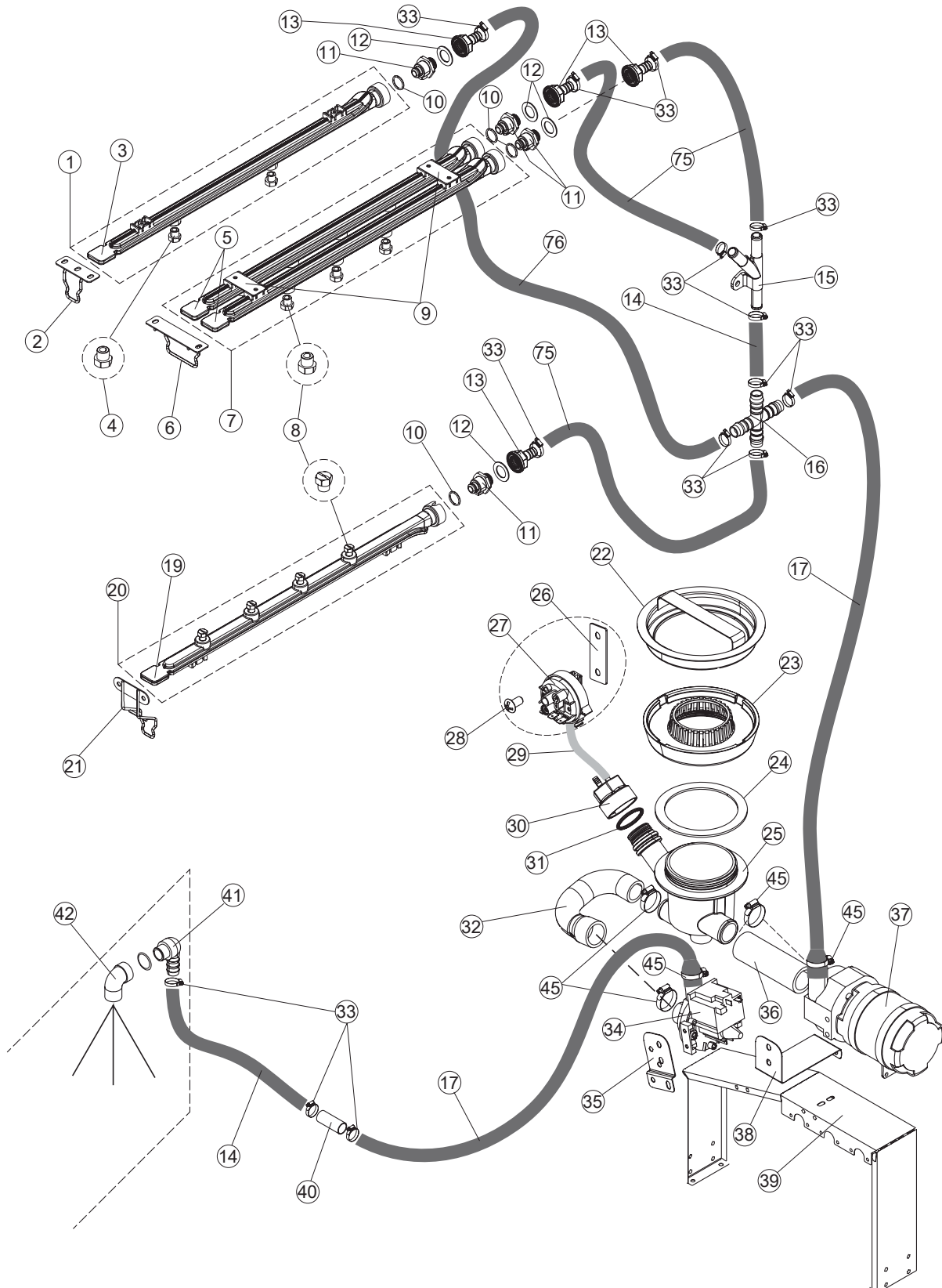
Exploded view

Explodierte Ansicht | Dessin technique | Rozkres
Vista en despiece ordenado



A 200 W ABT RX CTTA 9

Exploded view 4/13



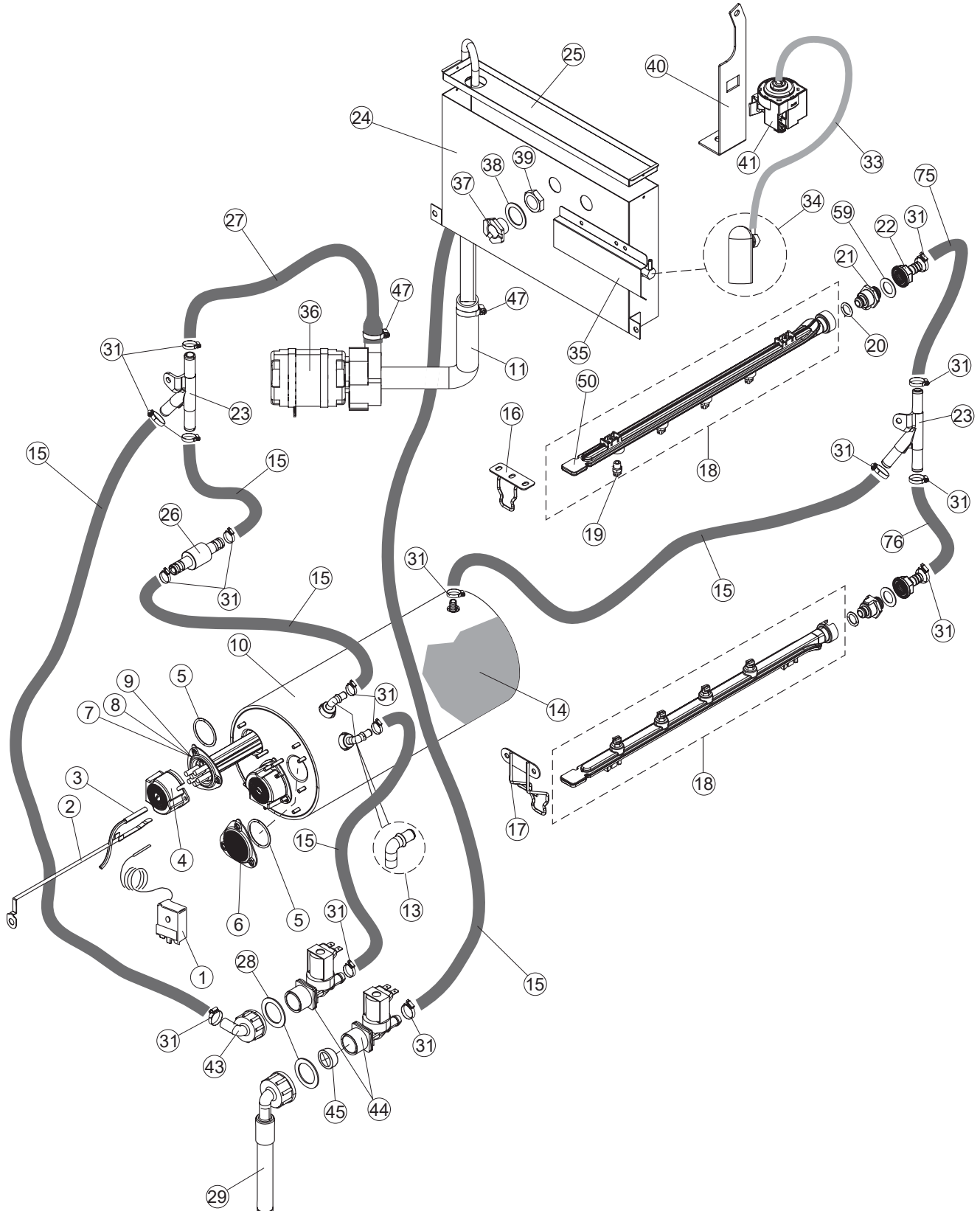
Exploded view

Explodierte Ansicht | Dessin technique | Rozkres
Vista en despiece ordenado



A 200 W ABT RX CTTA 9

Exploded view 5/13



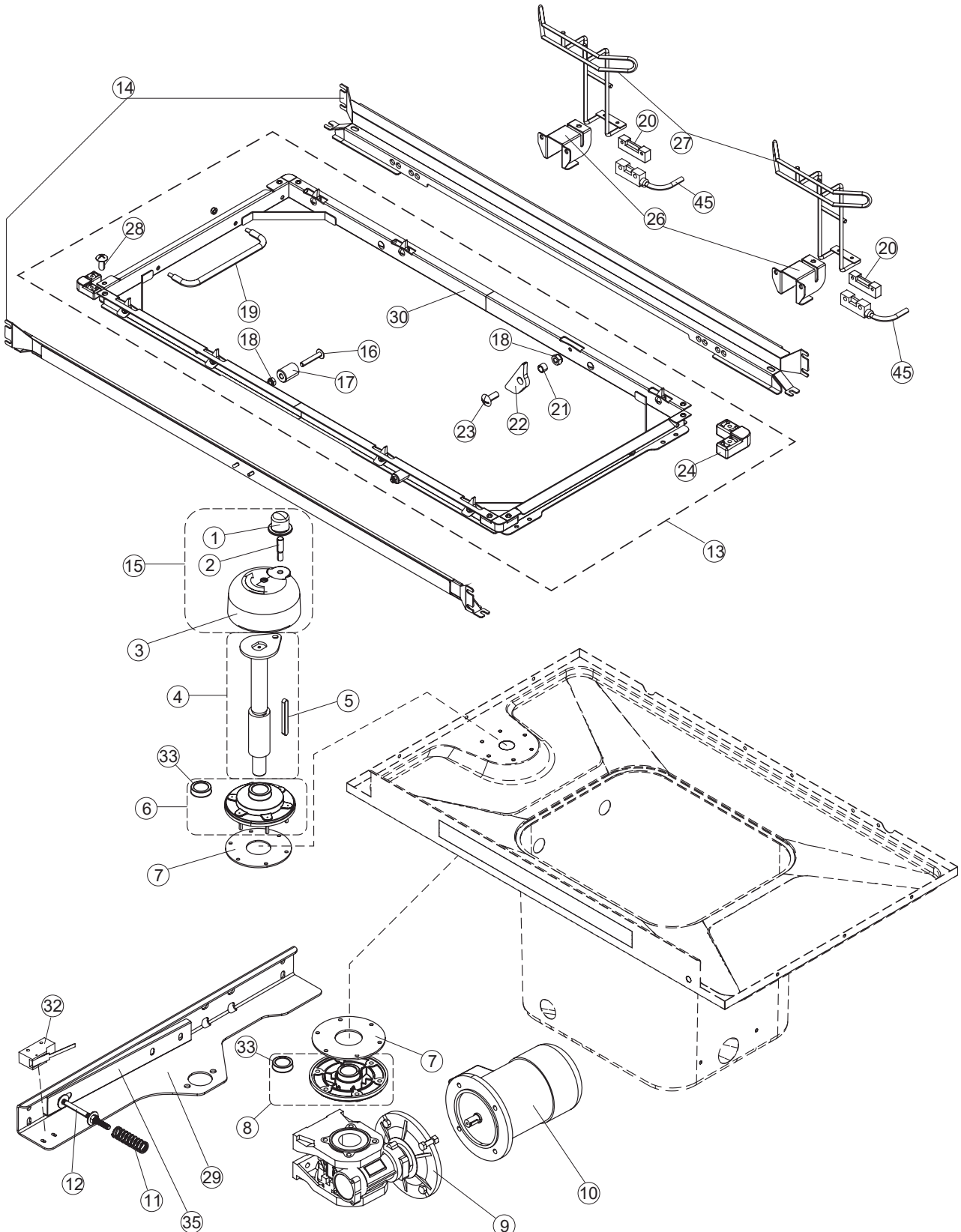
Exploded view

Explodierte Ansicht | Dessin technique | Rozkres
Vista en despiece ordenado



A 200 W ABT RX CTTA 9

Exploded view 6/13



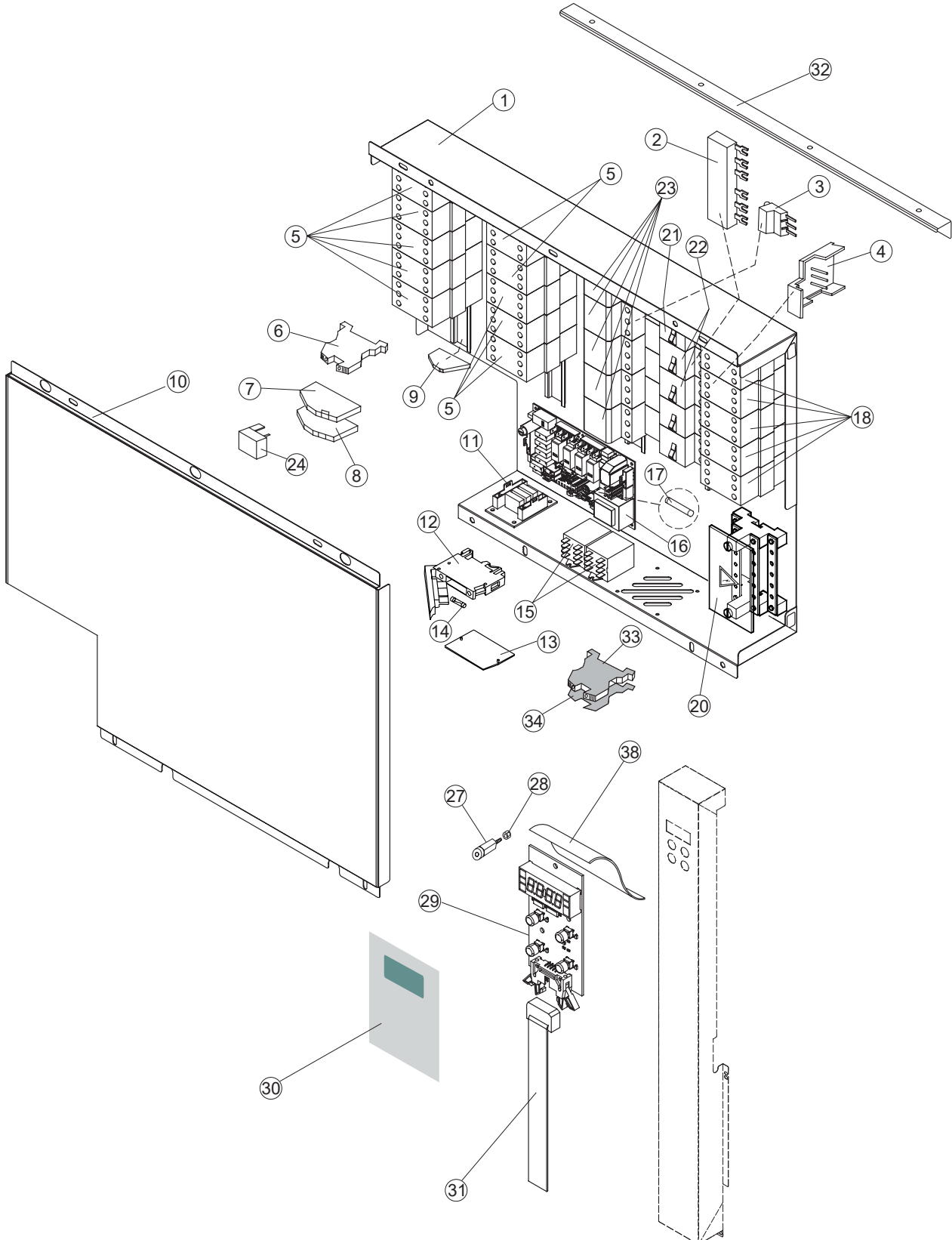
Exploded view

Explodierte Ansicht | Dessin technique | Rozkres
Vista en despiece ordenado



A 200 W ABT RX CTTA 9

Exploded view 7/13



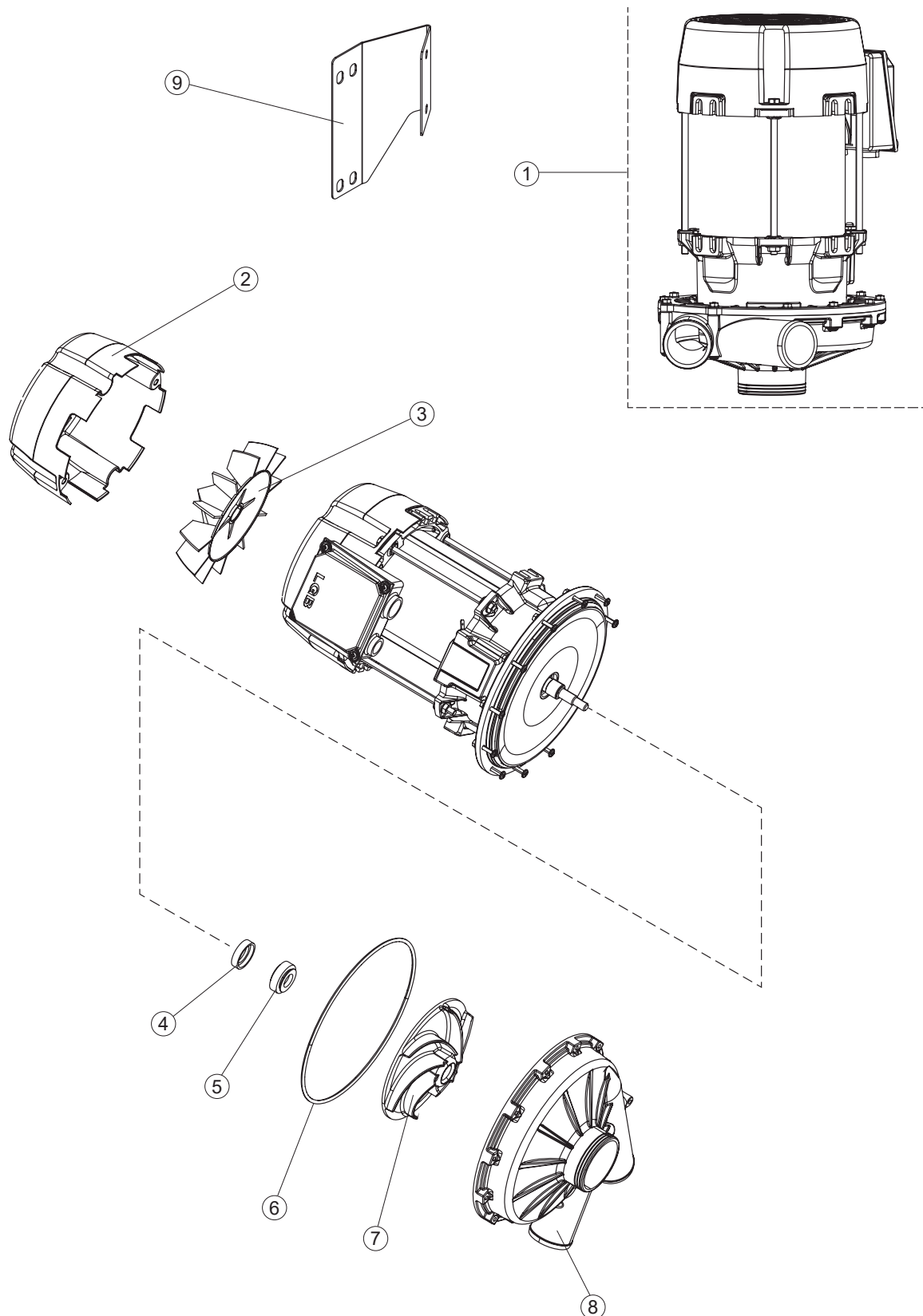
Exploded view

Explodierte Ansicht | Dessin technique | Rozkres
Vista en despiece ordenado



A 200 W ABT RX CTTA 9

Exploded view 8/13



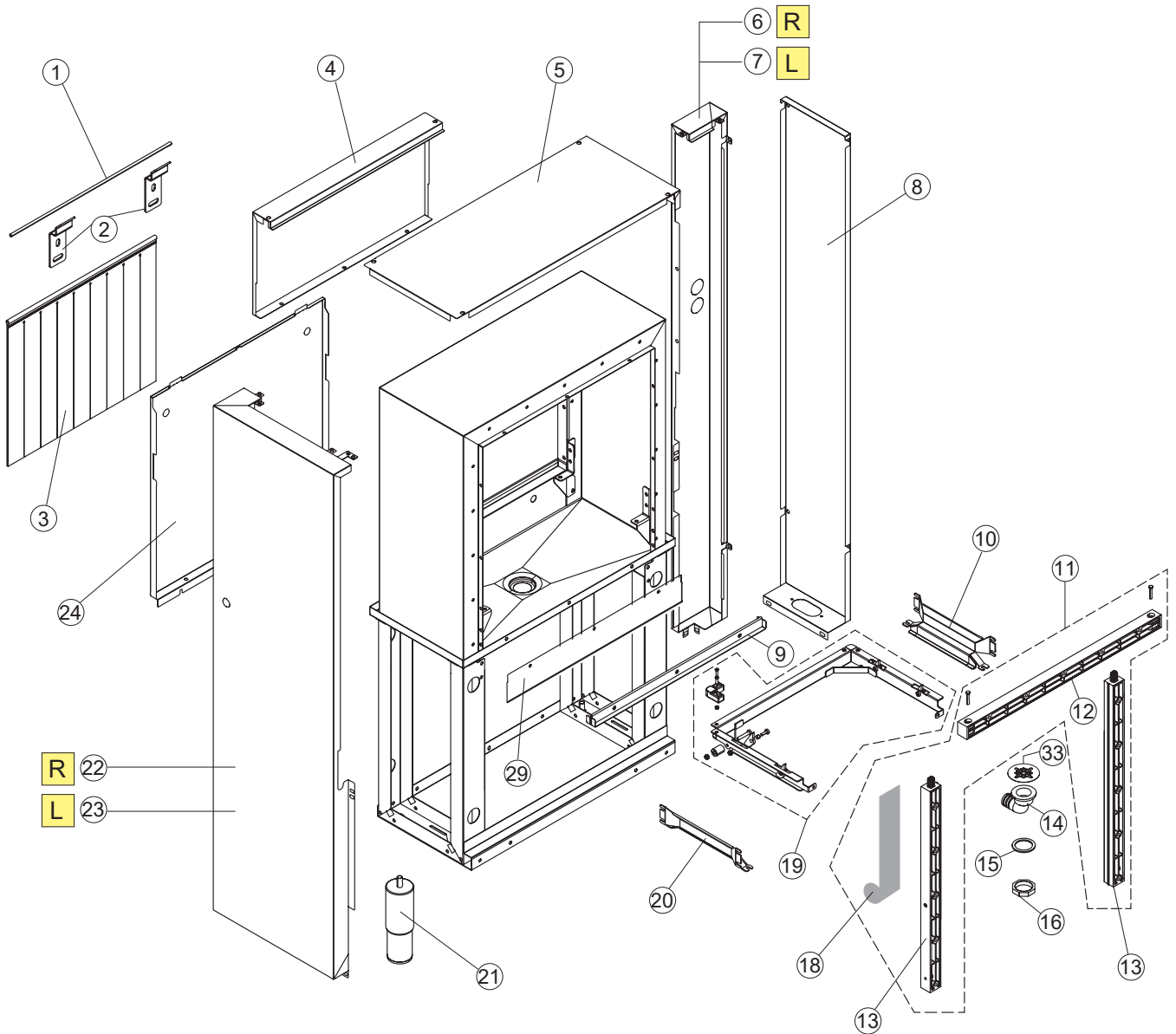
Exploded view

Explodierte Ansicht | Dessin technique | Rozkres
Vista en despiece ordenado



A 200 W ABT RX CTTA 9

Exploded view 9/13



R		USCITA DESTRA-SORTIE DROITE-AUSLAUF RECHTS-EXIT RIGHT-SALIDA DERECHA
L		USCITA SINISTRA-SORTIE GAUCHE-AUSLAUF LINKS-EXIT LEFT-SALIDA IZQUIERDA

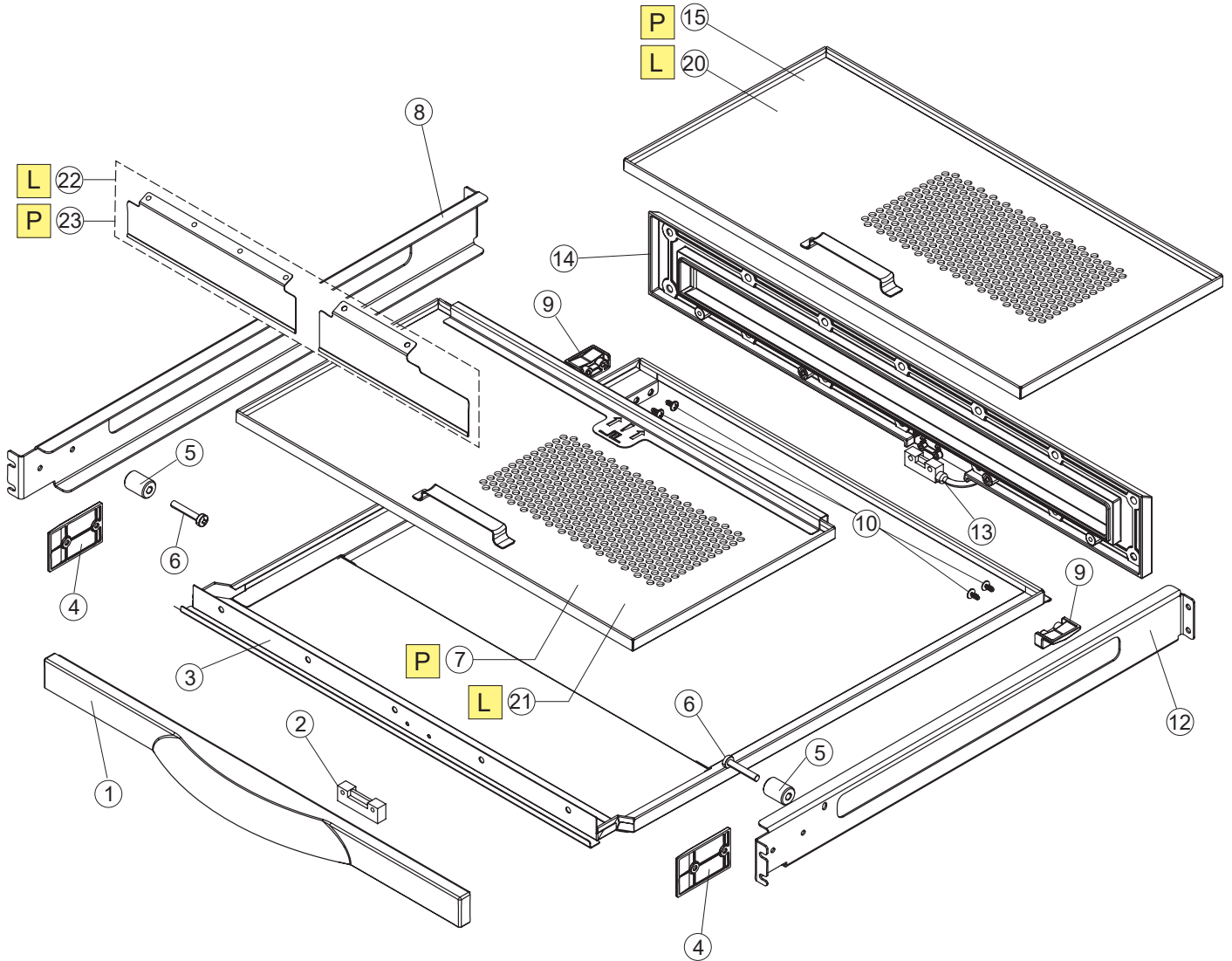
Exploded view

Explodierte Ansicht | Dessin technique | Rozkres
Vista en despiece ordenado



A 200 W ABT RX CTTA 9

Exploded view 10/13



	P PRELAVAGGIO-PRELAVAGE-WASCH -PRE-WASH-PRELAVADO
	L LAVAGGIO-LAVAGE-VORWASCHE -WASH-LAVADO

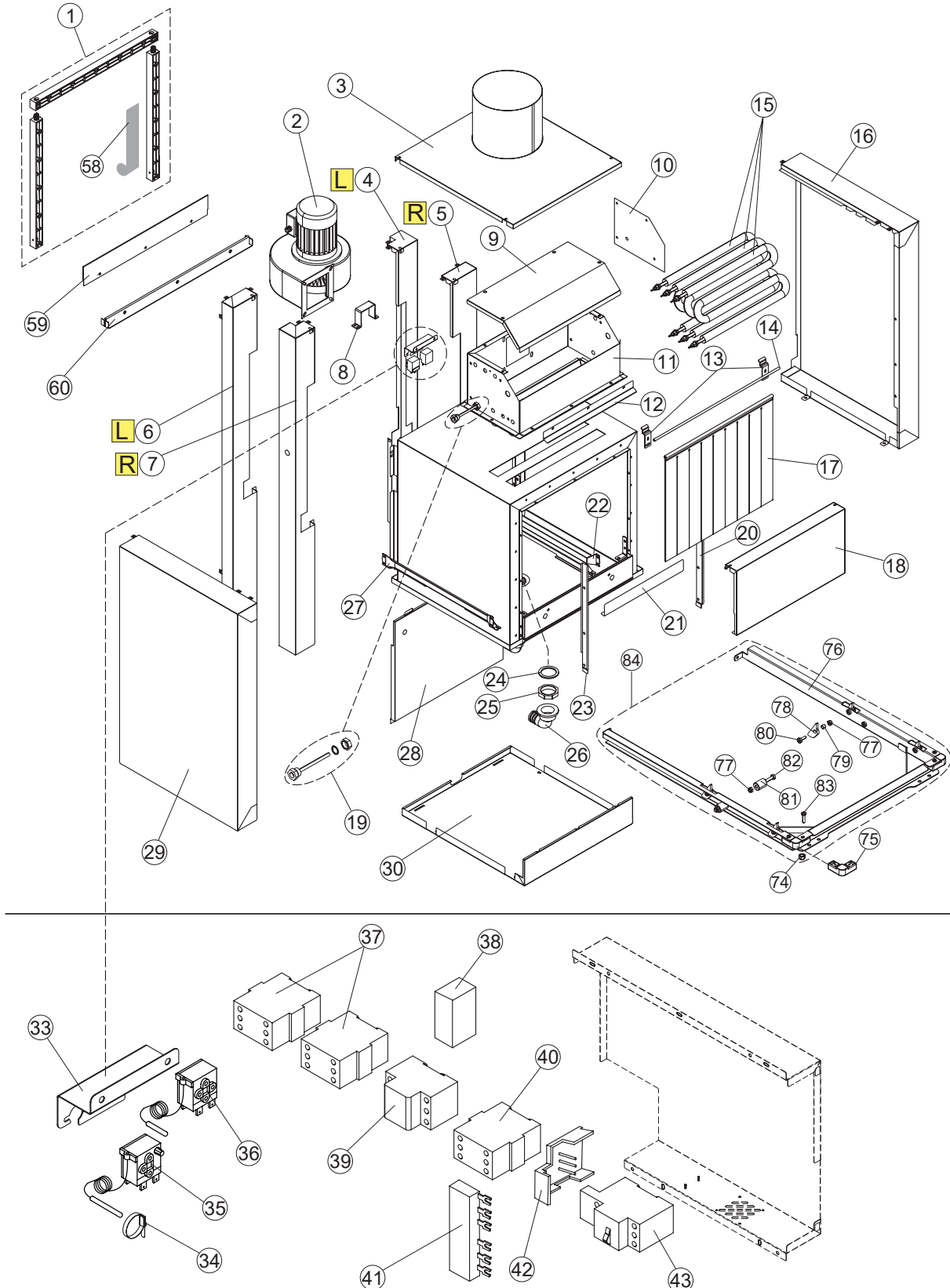
Exploded view

Explodierte Ansicht | Dessin technique | Rozkres
Vista en despiece ordenado



A 200 W ABT RX CTTA 9

Exploded view 11/13



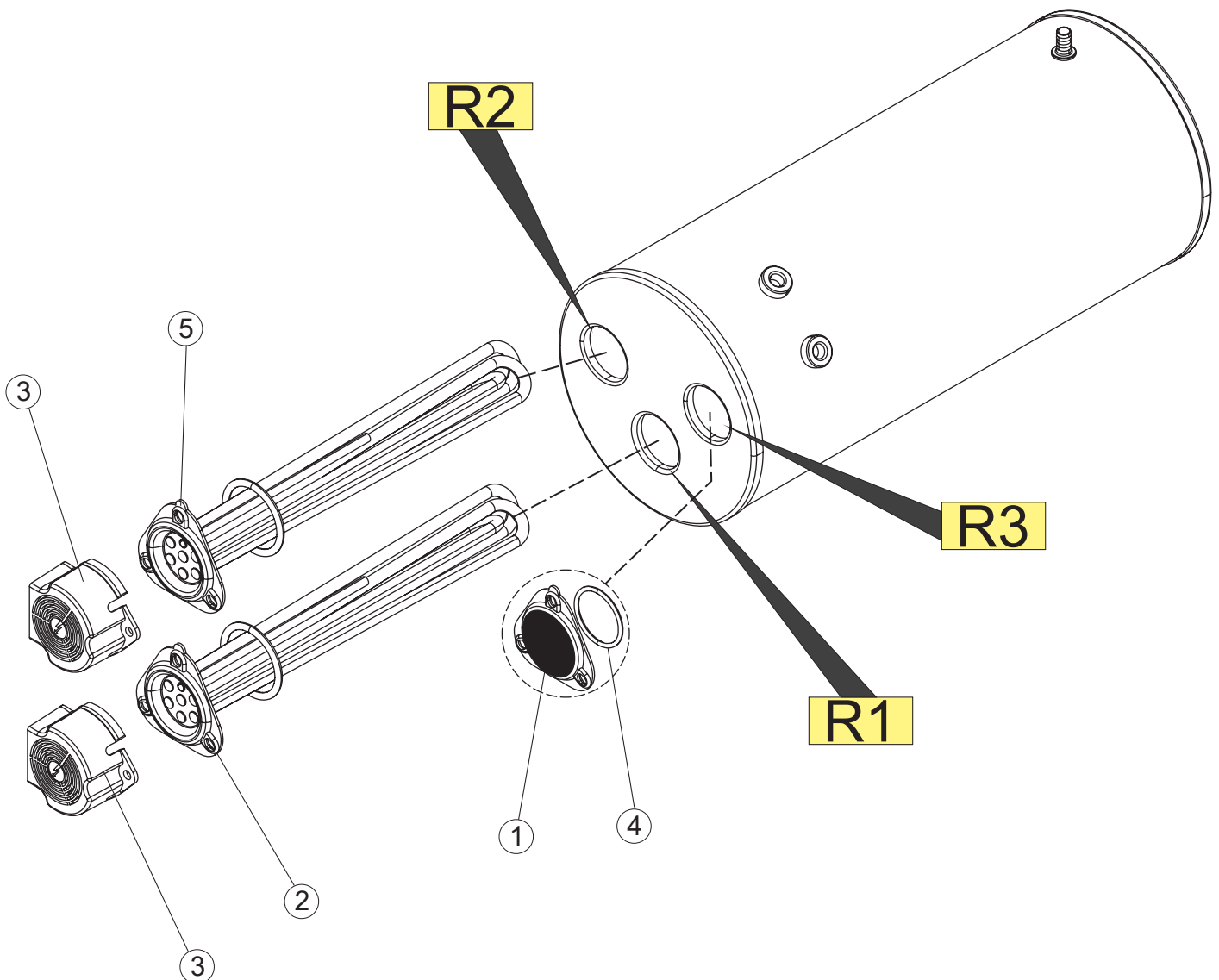
Exploded view

Explodierte Ansicht | Dessin technique | Rozkres
Vista en despiece ordenado



A 200 W ABT RX CTTA 9

Exploded view 12/13



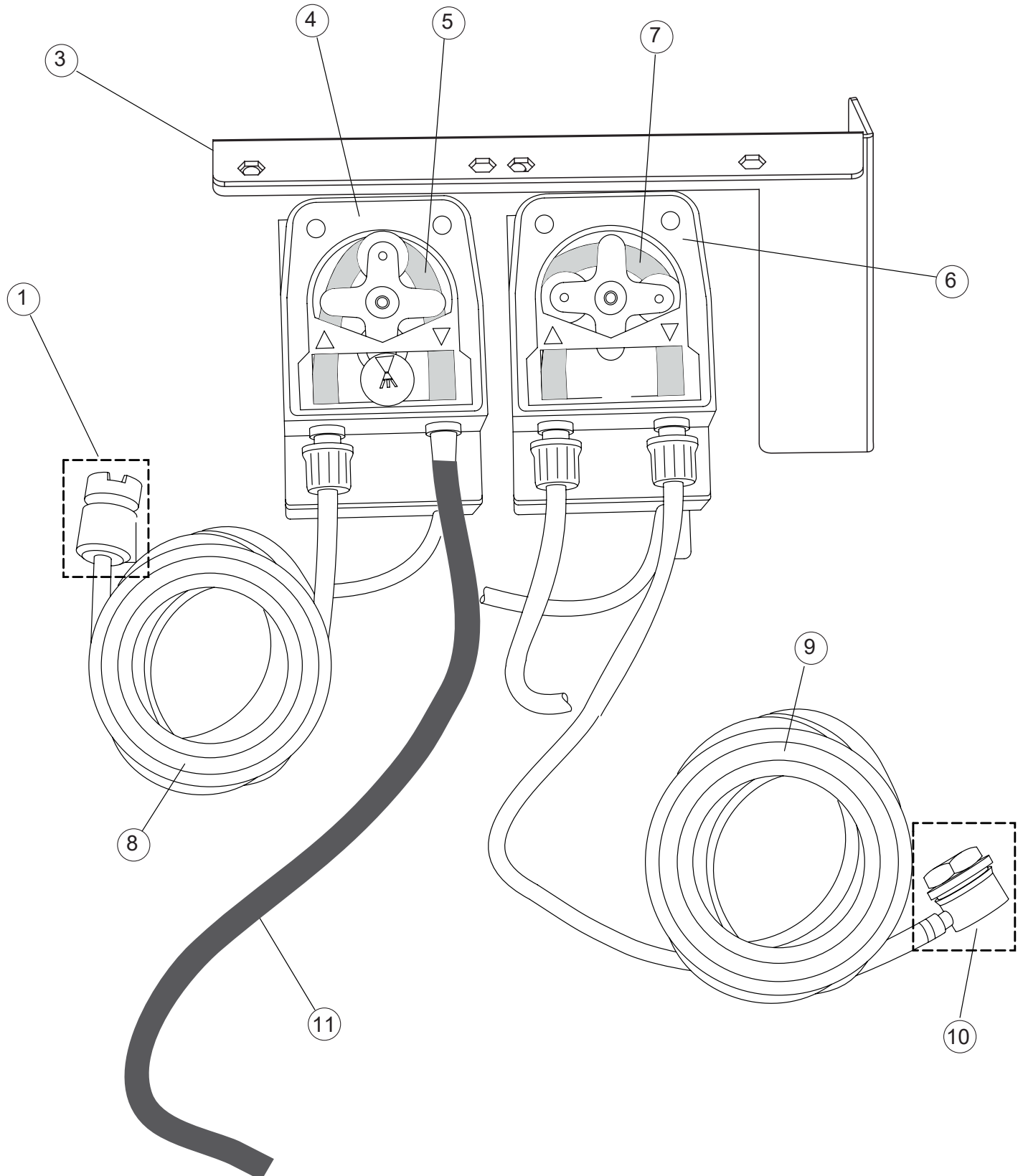
Exploded view

Explodierte Ansicht | Dessin technique | Rozkres
Vista en despiece ordenado



A 200 W ABT RX CTTA 9

Exploded view 13/13



Exploded view

Explodierte Ansicht | Dessin technique | Rozkres Vista en despiece ordenado



A 200 W ABT RX CTTA 9

ARTICLE	NUMBER	POSITION	PAGE
PART NUMBER NO LONGER AVAILABLE (PART NR. REPLACED BY 65448)	65244	1	1
TOP BACK PANEL	65448	1	1
BACK PANEL	65080	2	1
FRONT PANEL	65035	3	1
CORNER REAR RIGHT PANEL	65258	4	1
RIGHT CORNER CONTROL PANEL	65331	5	1
SIDE PANEL	65054	6	1
FOOT	73100	7	1
FRONT PANEL	65287	8	1
KIT DOOR WASH UNIT	K65282	9	1
DOOR SPRING KIT	65654	10	1
CORNER FRONT RIGHT PANEL	65338	11	1
CORNER REAR LEFT PANEL	65259	14	1
TOP PANEL	65050	15	1
BRACKET	65256	16	1
MAGNETIC DOOR SWITCH	80871	17	1
MAGNET FOR HOOD MICROSWITCH	927088	18	1
DOOR SAFETY HOOK FOR RACK-CONVEYOR	75064	21	1
SLIDES CONVEYOR DOOR	75647	22	1
SUPPORTING UPRIGHT	65337	50	1
PART NUMBER NO LONGER AVAILABLE	65231	51	1
PART NUMBER NO LONGER AVAILABLE	65096	1	2
TOP PANEL	65541	2	2
SUPPORTING UPRIGHT	65619	3	2
PART NUMBER NO LONGER AVAILABLE (PART NR. REPLACED BY 65449)	65081	4	2
BACK PANEL	65449	4	2
LOWER ESTERNAL FRONT PANEL - FINISHED	75307	5	2
FOOT	73100	6	2
RACK SLIDE	65052	7	2
TOWING RACK	65370C	9	2
SLED CART TOWING	75075	10	2
KIT GROUP FRAME JUNCTION TOWING MODULE	K65049	11	2
HORIZONTAL BAR	65047	12	2
VERTICAL L BAR	65045	13	2
STAINLESS STEEL SCREW 4MAX10 TBCR-SP	486169	14	2
NUT - SELF-LOCK	CDI206AU	15	2
BUFFER FOR DRIVE STOP	75076	16	2
SCREW	75310	17	2
GASKET	65997	18	2
PART NUMBER NO LONGER AVAILABLE (PART NR. REPLACED BY 75310)	CVI172	19	2

Exploded view

Explodierte Ansicht | Dessin technique | Rozkres
Vista en despiece ordenado



A 200 W ABT RX CTTA 9

ARTICLE	NUMBER	POSITION	PAGE
SCREW	75310	19	2
RACK CONVEYOR COG	65897	20	2
BUSH	75077	21	2
INNER LOWER FRONT PANEL - FINISHED PART	65308	23	2
RACK SLIDE	65052	27	2
WATER DEFLECTOR	65646	34	2
BRACKET UNION TANKS	65055	35	2
CURTAIN SUPPORT FOR RACK-CONVEYOR DISH-	75124	1	3
SUPPORT BRACKET	65128	2	3
CURTAIN	65210	3	3
CURTAIN SUPPORTING BRACKET	65162	4	3
CURTAIN	65211	5	3
WASHPUMP	65600	6	3
COMPLETE WASH ARM	65265	7	3
O-RING	CGR4131NT	8	3
CONNECTING ARM	75645	9	3
GASKET	437050	10	3
PIPE FITTING	75155	11	3
PART NUMBER NO LONGER AVAILABLE	CFS32	12	3
DELIVERY WASH HOSE	75154	13	3
PIPE	65177	14	3
CURTAIN	65210	15	3
CLAMP, TORRO W1/W2B 50-70/12	CFS2	16	3
PIPE	65624	17	3
BRACKET	65330	19	3
CLAMP, HOSE-TYPE TORRO W2B 60-80/12	CFS3	20	3
PIPE ELBOW	926056	21	3
PUMP ASPIRATION FILTER	75661	23	3
PIPE + PARZ.77018	K65176	24	3
ASPIRATION FILTER SLIDE	42092	25	3
PIPE	65623	26	3
WASHER	472061	27	3
BRACKET	65293	28	3
OVERFLOW PIPE	75864	29	3
SUPPORT BRACKET WASH ARM	65212	30	3
O-RING	CGR4131NT	31	3
DRAIN CONNECTION	75871	32	3
GASKET	75873	33	3
NUT WASTE DRAIN	75872	34	3
DRAIN FITTING (PLASTIC)	75639	35	3

Exploded view

Explodierte Ansicht | Dessin technique | Rozkres Vista en despiece ordenado



A 200 W ABT RX CTTA 9

ARTICLE	NUMBER	POSITION	PAGE
BRACKET PRESSURE SWITCH	DAS20206	36	3
PRESSURE SWITCH	926049	37	3
SCREW	CVZ4	38	3
COLLECTING FILTER WITH WEIGHT	75429	39	3
WEIGHT FOR BASKET STAINER	75428	40	3
PART NUMBER NO LONGER AVAILABLE	CVI1101	41	3
NUT - SELF-LOCK	417091	42	3
TANK FLAT STAINLESS STEEL FILTER	65200	43	3
HOSE CLAMP	CFS1A	47	3
AIR TRAP, ASSY	984005	50	3
LINEN RUBBER PIPE 5X12 - BLACK	143005	51	3
AIR TRAP CONNECTION OF PRESSURE SWITCH	468029	52	3
O-RING	456020	53	3
PACKING FOR AIR TRAP OF PRESSURE SWITCH	437019	54	3
CONNECTING ARM	75648	55	3
TEMPERATURE PROBE CLIP	H.775489-001	57	3
TEMPERATURE PROBE	231016	58	3
HEATING ELEMENT 10500W 230/400V	80397C	59	3
O-RING SEAL	456002	60	3
BOILER HEATING ELEMENT PROTECTION	69870	61	3
SAFETY THERMOSTAT (95) L=1500MM	K67876	62	3
RINSE ARM	65787	1	4
BRACKET	65593	2	4
RINSE ARM	65515	3	4
STAINLESS STEEL RINSE SPRAY NOZZLE	77068	4	4
RINSE ARM	65523	5	4
BRACKET	65585	6	4
RINSE ARM	65784	7	4
STAINLESS STEEL NOZZLE - FIRST RINSING	927309	8	4
BRACKET	65527	9	4
O-RING 2050 12.42X1.78 EPDM 70SH A	65727	10	4
BRACKET	65015	11	4
GASKET ES/AM VERDE 33X21X1,5	65749	12	4
PIPE FITTING	66945	13	4
RUBBER PIPE 12X19,5	143010	14	4
JUNCTION „Y“	143268	15	4
MAINFOLD	77060	16	4
RINSE DELIVERY TUBE(CRP)	41525	17	4
RINSE ARM	65521	19	4
RINSE ARM	65785	20	4

Exploded view

Explodierte Ansicht | Dessin technique | Rozkres Vista en despiece ordenado



A 200 W ABT RX CTTA 9

ARTICLE	NUMBER	POSITION	PAGE
SUPPORT BRACKET RINSE ARM	65588	21	4
STAINER	65975	22	4
RING NUT	429077	23	4
GASKET	437107	24	4
ASPIRATION AND DRAIN BODY	136029	25	4
PRESSURE SWITCH SUPPORT	20206PZ	26	4
PRESSURE SWITCH 140/95	65813	27	4
SCREW	CVZ4	28	4
PIPE	143131	29	4
AIR TRAP FOR PRESSURE SWITCH	107013	30	4
O-RING	456073	31	4
DRAIN HOSE	127115	32	4
HOSE CLAMP	423009	33	4
DRAIN PUMP90- V 220/240- F50	999363	34	4
SUPPORT BRACKET	65663	35	4
PIPE	65805	36	4
ELECTROPUMP	929167	37	4
PART NUMBER NO LONGER AVAILABLE	65667	38	4
PART NUMBER NO LONGER AVAILABLE	65660UN	39	4
STEEL TUBE	65806	40	4
BRASS RUBBER-PIPE HOLDER CONNECTION 3/8	929163	41	4
UNION ELBOW 3/8" AISI316	65876	42	4
PART NUMBER NO LONGER AVAILABLE	CFS32	45	4
RINSE PIPE L 200 RACC 90	65747-A	75	4
RINSE PIPE L 580 RACC 90	65747-C	76	4
THERMOSTAT 110 C 67878 + BRACKET	K67878	1	5
PART NUMBER NO LONGER AVAILABLE	74986	2	5
TEMPERATURE PROBE	231016	3	5
BOILER HEATING ELEMENT PROTECTION	69870	4	5
O-RING SEAL	456002	5	5
CLOSED FLANGE CAP (170880543)	926053	6	5
HEATING ELEMENT 6KW	230083C	7	5
KIT HEATING ELEMENTS REB230020 (8KW)	230020C	8	5
READY-TO-ASSEMBLE KIT FOR HEATING	80398C	9	5
BOILER	65700	10	5
PIPE	65069	11	5
PIPE FITTING	65018	13	5
COVER INSULATION	65245	14	5
RUBBER PIPE 12X19,5	143010	15	5
BRACKET	65582	16	5

Exploded view

Explodierte Ansicht | Dessin technique | Rozkres Vista en despiece ordenado



A 200 W ABT RX CTTA 9

ARTICLE	NUMBER	POSITION	PAGE
SUPPORT BRACKET RINSE ARM	65588	17	5
RINSE ARM	65786	18	5
STAINLESS STEEL RINSE SPRAY NOZZLE	65950	19	5
O-RING 2050 12.42X1.78 EPDM 70SH A	65727	20	5
INTERNAL RINSE PIPE FITTING AISI303	65883	21	5
PIPE FITTING	66945	22	5
JUNCTION „Y“	143268	23	5
BREAK TANK	65395	24	5
COVER	65390	25	5
FLOW REDUCER	65607	26	5
RINSE DELIVERY TUBE(CRP)	41525	27	5
GASKET	437041	28	5
INLET HOSE	143277	29	5
HOSE CLAMP	423009	31	5
PIPE	143131	33	5
AIR TRAP, ASSY	984005	34	5
SPLASH PROTECTION	41059	35	5
ELECTROPUMP	929167	36	5
RING NUT	429036	37	5
PACKING FOR DRAIN UNIT RING NUT (S6666)	437025	38	5
NUT - CHROMIUM PLATED	CDO134CR	39	5
BRACKET FOR PRESSURE SWITCH	75621	40	5
PRESSURE SWITCH	224031	41	5
PIPE CONNECTION	927326	43	5
SOLENOID VALVE	240016	44	5
FLOW REDUCER	75976	45	5
PART NUMBER NO LONGER AVAILABLE	CFS32	47	5
RINSE ARM	65545	50	5
GASKET ES/AM VERDE 33X21X1,5	65749	59	5
RINSE PIPE L 200 RACC 90	65747-A	75	5
RINSE PIPE L 380 RACC 90	65747-B	76	5
WASHER	75058	1	6
PIVOT	75234	2	6
SPLASH PROTECTION	75649	3	6
GEAR SHAFT CONVEYOR	65235	4	6
GEARED MOTOR KEY	65235C	5	6
UPPER FLANGE SHAFT CONVEYOR	K75141	6	6
GASKET	75168	7	6
LOWER BUSH & SEAL	K75057	8	6
GEARMOTOR SW050PA MEC71B5 I=40	65922	9	6

Exploded view

Explodierte Ansicht | Dessin technique | Rozkres Vista en despiece ordenado



A 200 W ABT RX CTTA 9

ARTICLE	NUMBER	POSITION	PAGE
MOTOR 180W V 400	927105	10	6
SPRING	CMT13	11	6
SCREW	60354	12	6
RACK CONVEYOR	75869	13	6
RACK SLIDE RACKCONVEYOR ONLY SPARE PART	K65024	14	6
KIT PROTECTIVE PLATE OF SPLASHING WATER	K75649	15	6
SCREW	75310	16	6
BUFFER FOR DRIVE STOP	75076	17	6
NUT - SELF-LOCK	CDI206AU	18	6
RACK CONVEYOR HANDLE	75073	19	6
MAGNET FOR HOOD MICROSWITCH	927088	20	6
BUSH	75077	21	6
RACK CONVEYOR COG	65897	22	6
PART NUMBER NO LONGER AVAILABLE (PART NR. REPLACED BY 75310)	CVI172	23	6
SCREW	75310	24	6
SLED CART TOWING	75075	25	6
PART NUMBER NO LONGER AVAILABLE	65022	26	6
BRACKET ECONOMIZER	75110	27	6
OPERATED RINSING LEVER	65695	28	6
STAINLESS STEEL SCREW 4MAX10 TBCR-SP	486169	29	6
BRACKET CONVEYOR MOTOR	65217	30	6
TOWING RACK	75868	31	6
MICROSWITCH	927246	32	6
SEAL RING MIM 30X40X7 (MIM 30407)	927095	33	6
SUPPORT BRACKET	75218	35	6
MAGNETIC DOOR SWITCH	80871	45	6
PANEL FOR ELECTRICAL COMPONENTS	65680	1	7
BAR ELECTRICAL CONNECTION	80829	2	7
POWER CONNECTOR	80826	3	7
CONNECTOR	73830	4	7
CONTACTOR	73351	5	7
TERMINAL BLOCK	927115	6	7
TERMINAL	74938	7	7
TERMINAL	74939	8	7
ELECTRICAL CONNECTOR FOR U-SHAPED BAR	75817	9	7
COVER	65683	10	7
MAIN BOARD	74903	11	7
FUSE-HOLDER	74935	12	7
FUSE-HOLDER	74935	13	7
PART NUMBER NO LONGER AVAILABLE (PART NR. REPLACED BY 228010)	228014	14	7

Exploded view

Explodierte Ansicht | Dessin technique | Rozkres Vista en despiece ordenado



A 200 W ABT RX CTTA 9

ARTICLE	NUMBER	POSITION	PAGE
FUSE	228010	14	7
RELAY 16A 230V	929115	15	7
MAIN BOARD 215042+ FIRMWARE26(FW_0_XXA.Q014)	215042-2	16	7
FUSE	228010	17	7
CONTACTOR	73350	18	7
TERMINAL BLOCK	75983	20	7
AUTOMATIC SWITCH	DEI38N	21	7
AUTOMATIC SWITCH	DEI36N	22	7
FUSE-HOLDER - TRIPOLAR GK1-DF	927038	23	7
JUMPER	74940	24	7
INTERFACE BOARD DISTANCE KEEPERS	419036	27	7
NUT	417119	28	7
CONTROL KEYBOARD	74901	29	7
CONTROL ADHESIVE INTERFACE A200ABT, A270ABT RM GASTRO	66720	30	7
FLAT CABLE WITH PROTECTIVE SHEATH	74933	31	7
BRACKET	65491	32	7
TERMINAL	74936	33	7
PART NUMBER NO LONGER AVAILABLE	65981	34	7
PVC CURTAIN FOR ELECTRIC PROTECTION	214088	38	7
WASHPUMP	65600	1	8
MOTOR FAN COVER	66456	2	8
FAN	66457	3	8
FIXED SHAFT SEAL (1033R)	66452	4	8
ROTATING MECHANICAL SEAL(1032R)	66453	5	8
O-RING 3877R	66455	6	8
IMPELLER 3878D 125 DIAM 125(POMPA 65600)	66454	7	8
PUMP HOUSING (3868R)	66451	8	8
SUPPORT BRACKET	65329	9	8
CURTAIN SUPPORT FOR RACK-CONVEYOR DISH-	75124	1	9
SUPPORT BRACKET	65128	2	9
CURTAIN	65210	3	9
FRONT PANEL	65035	4	9
TOP PANEL	65542	5	9
PART NUMBER NO LONGER AVAILABLE	65249	6	9
CORNER REAR RIGHT PANEL	65258	7	9
BACK PANEL	65381	8	9
BRACKET UNION TANKS	65055	9	9
RACK SLIDE	65368	10	9
KIT GROUP FRAME JUNCTION TOWING MODULE	K65049	11	9
HORIZONTAL BAR	65047	12	9

Exploded view

Explodierte Ansicht | Dessin technique | Rozkres Vista en despiece ordenado



A 200 W ABT RX CTTA 9

ARTICLE	NUMBER	POSITION	PAGE
VERTICAL L BAR	65045	13	9
DRAIN CONNECTION	DZP13	14	9
GASKET	437063	15	9
PLASTIC NUT 1-1/4	417081	16	9
GASKET	65997	18	9
RACK CONVEYOR	65569	19	9
RACK SLIDE	65368	20	9
FOOT	73100	21	9
PART NUMBER NO LONGER AVAILABLE	65656	22	9
PART NUMBER NO LONGER AVAILABLE	65772	23	9
SIDE PANEL	65054	24	9
SEPARATOR UNIT WASHING - PREWASHING	65645	29	9
STAINER	65827	33	9
HANDLE FOR THE FILTER	65501	1	10
MAGNET FOR HOOD MICROSWITCH	927088	2	10
STRAINER FRAME	65556	3	10
SIDE SLIDE FOR FILTER	65503	4	10
BUFFER FOR DRIVE STOP	75076	5	10
SCREW	75311	6	10
FRONT DRAWER STRAINER FOR PRE-WASH TANK	65477	7	10
PART NUMBER NO LONGER AVAILABLE	65871	8	10
PART NUMBER NO LONGER AVAILABLE	65508	9	10
SCREW	65999	10	10
PART NUMBER NO LONGER AVAILABLE	65872	12	10
MAGNETIC DOOR SWITCH	80871	13	10
KIT STAINER FRAME	K65502	14	10
FRONT DRAWER STRAINER FOR PRE-WASH TANK	65478	15	10
BACK DRAWER STRAINER FOR WASH TANK	65468	20	10
FRONT DRAWER STRAINER FOR WASH TANK	65464	21	10
KIT SPLASHGUARD WASH DOOR	K65565	22	10
KIT SPLASHGUARD PRE-WASH DOOR	K65479	23	10
KIT GROUP FRAME JUNCTION TOWING MODULE	K65049	1	11
STAINLESS STEEL ASPIRATOR 230/400/50HZ (ABB)	65382A	2	11
COVER	65362	3	11
LEFT FRONT CORNER PANEL	65094	4	11
RIGHT BACK CORNER PANEL	65086	5	11
LEFT BACK CORNER PANEL	65087	6	11
RIGHT FRONT CORNER PANEL	65095	7	11
PART NUMBER NO LONGER AVAILABLE	65429	8	11
PLUG	75376	9	11

Exploded view

Explodierte Ansicht | Dessin technique | Rozkres Vista en despiece ordenado



A 200 W ABT RX CTTA 9

ARTICLE	NUMBER	POSITION	PAGE
PLUG	65321	10	11
PART NUMBER NO LONGER AVAILABLE	65347	11	11
WATER DEFLECTOR	66428	12	11
SUPPORT BRACKET	65128	13	11
CURTAIN SUPPORT FOR RACK-CONVEYOR DISH-	75124	14	11
HEATING ELEMENT	927245	15	11
BACK PANEL	65160	16	11
CURTAIN EXIT DRYING UNIT	65228	17	11
FRONT PANEL	65035	18	11
PROBE HOLDER	65046	19	11
RIGHT SEALING CHANNEL WATER	65430	20	11
WATER DEFLECTOR	65886	21	11
RACK SLIDE	65367	22	11
LEFT SEALING CHANNEL WATER	65431	23	11
GASKET	437063	24	11
PLASTIC NUT 1-1/4	417081	25	11
DRAIN CONNECTION	DZP13	26	11
RACK SLIDE	65367	27	11
DRYER SIDE PANEL	65053	28	11
FRONT PANEL	65156	29	11
LOWER FRONT PANEL FOR DRYING UNIT	66402	30	11
PART NUMBER NO LONGER AVAILABLE	65292	33	11
HOSE CLAMP	75969	34	11
THERMOSTAT 200 C	927106	35	11
THERMOSTAT - 3 CONTACTS - 90C TYPE	929107	36	11
CONTACTOR	73351	37	11
AUXILIARY CONTACT FOR AUTOMATIC SWITCH	DEI3N	38	11
FUSE-HOLDER - TRIPOLAR GK1-DF	927038	39	11
CONTACTOR	73350	40	11
BAR ELECTRICAL CONNECTION	80829	41	11
CONNECTOR	73830	42	11
AUTOMATIC SWITCH	DEI36N	43	11
GASKET	65997	58	11
SEPARATOR UNIT WASHING - PREWASHING	65645	59	11
BRACKET UNION TANKS	65055	60	11
PART NUMBER NO LONGER AVAILABLE	CDI204AU	74	11
SLED CART TOWING	75075	75	11
PART NUMBER NO LONGER AVAILABLE	75768	76	11
NUT - SELF-LOCK	CDI206AU	77	11
RACK CONVEYOR COG	65897	78	11

